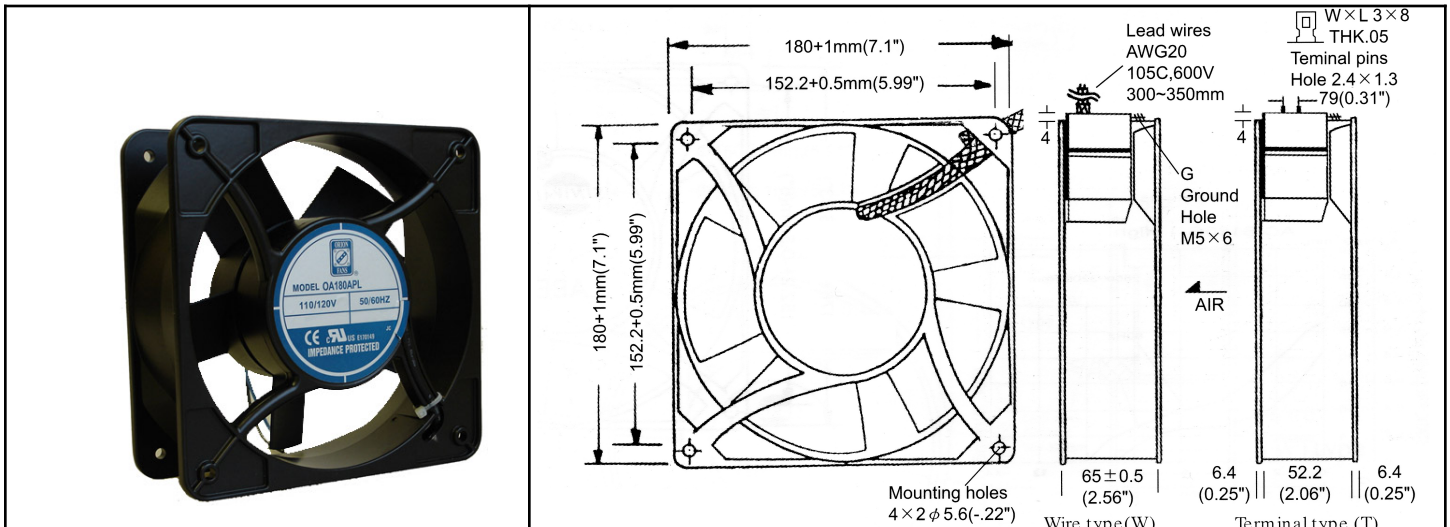


# OA180APL Series



AC Fan - 115V, 230V  
180 x 65mm (7.1" x 2.6")



Frame	Diecast Aluminum	<p><u>Operating Temperature</u> Ball Bearing -20C ~ +80C</p> <p><u>Life Expectancy</u> Ball Bearing 60,000 hours (L10 at 40C)</p>	
Impeller	PBT, UL94V-O plastic		
Connection	2x Lead Wires 20 AWG or terminals		
Motor	Capacitor drive, impedance and thermally protected		
Bearing System	Dual ball		
Insulation Resistance	>100M ohm between lead-wire and frame (500VDC)		
Dielectric Strength	1 min at 1500 VAC, 50/60Hz		

Part Number	OA180APL-11-1 *	OA180APL-22-1 *
Nominal AC Voltage	115 (50/60Hz)	230 (50/60Hz)
Voltage Range	60 ~ 130 VAC	120 ~ 260 VAC
Rated Power	60 / 70 W	60 / 70 W
Nominal Current	0.56 / 0.48 Amps	0.21 / 0.25 Amps
Rated Speed (RPM)	2750 / 3300	2750 / 3300
Airflow (CFM)	380 / 430	380 / 430
Noise Level (dB)	60	60
Max. Static Pressure	0.78" / 1.1 "H <sub>2</sub> O	0.78" / 1.1 "H <sub>2</sub> O

\* Indicate "TB" for terminal or "WB" for wire leads